

Copenhagen Open 2016

M21-81

Competitors: 7

Competitors A

#	Name	Club	1	2	3	4	Wins	Pts	Pos
1	Murad BERDYKLYCHEV	Brønshøj Judo Club			10	10	1	10	2
2	Constantin SRUBE	Judo Klub Halle	1			7	2	8	1
3	William BJÖRKLUND	Borås Judoklubb					0	0	4
4	Tammar ABBUD	Judo Sundsvall			1		0	0	3

Matches A

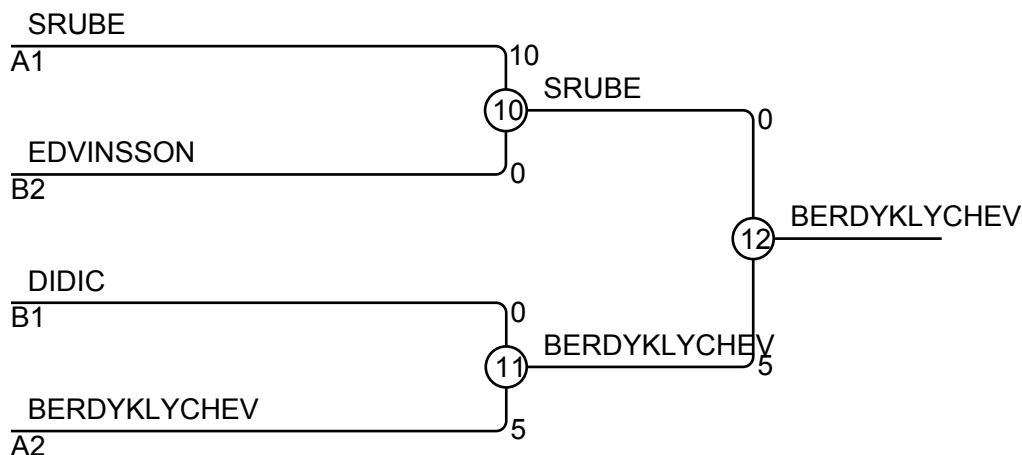
Match	White	Blue	Result	Time
1	Murad BERDYKLYCHEV 1	Constantin SRUBE 2	0 - 1	5:00
2	William BJÖRKLUND 3	Tammar ABBUD 4	0 - 1	5:14
4	Murad BERDYKLYCHEV 1	William BJÖRKLUND 3	10 - 0	0:00
5	Constantin SRUBE 2	Tammar ABBUD 4	7 - 0	5:00
7	Murad BERDYKLYCHEV 1	Tammar ABBUD 4	10 - 0	0:58
8	Constantin SRUBE 2	William BJÖRKLUND 3		

Competitors B

#	Name	Club	5	6	7	Wins	Pts	Pos
5	Armin DIDIC	Staffanstorps Judoklubb		10	10	2	20	1
6	Hugo STENERSEN	Helsingborgs Judoklubb				0	0	3
7	Carl EDVINSSON	Borås Judoklubb		10		1	10	2

Matches B

Match	White	Blue	Result	Time
3	Armin DIDIC 5	Hugo STENERSEN 6	10 - 0	0:40
6	Armin DIDIC 5	Carl EDVINSSON 7	10 - 0	2:52
9	Hugo STENERSEN 6	Carl EDVINSSON 7	0 - 10	1:30



Results

Pos	Name
1	Murad BERDYKLYCHEV , Brønshøj Judo Club
2	Constantin SRUBE, Judo Klub Halle
3	Carl EDVINSSON, Borås Judoklubb
3	Armin DIDIC, Staffanstorps Judoklubb