

Copenhagen Open 2016

M21-55

Competitors: 8

Competitors A

#	Name	Club	1	2	3	4	Wins	Pts	Pos
1	Axel ROBERTSSON	Stockholms judoklubb					0	0	4
2	Huub RASPE	Veendam Judo School			10		1	10	2
3	Anton GIHL	Saltsö Judo					0	0	3
4	Daan MOES	Stichting Judosport Oost		5	10		2	15	1

Matches A

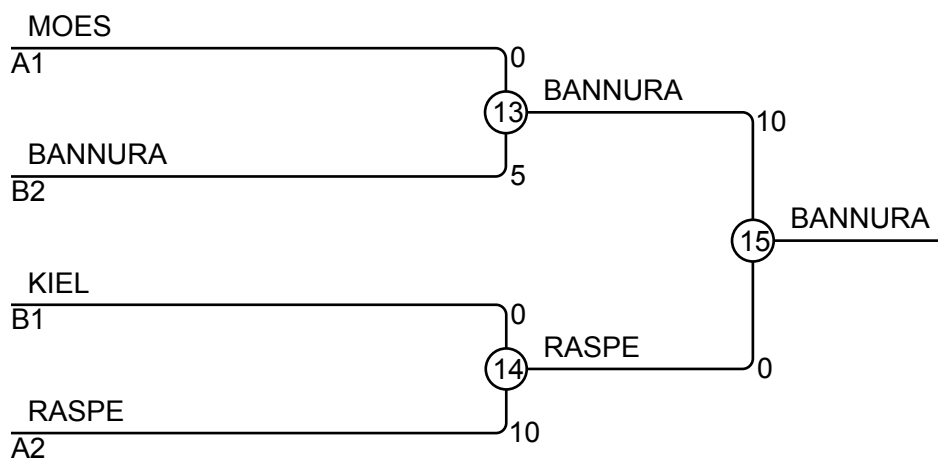
Match	White	Blue	Result	Time
1	Axel ROBERTSSON	Huub RASPE		
3	Anton GIHL	Daan MOES	0 - 10	2:57
5	Axel ROBERTSSON	Anton GIHL		
7	Huub RASPE	Daan MOES	0 - 5	5:00
9	Axel ROBERTSSON	Daan MOES		
11	Huub RASPE	Anton GIHL	10 - 0	1:34

Competitors B

#	Name	Club	5	6	7	8	Wins	Pts	Pos
5	Jorn BARNEVELD	Stichting Judosport Oost					0	0	4
6	Emil HENRIKSSON	Borås Judoklubb	10				1	10	3
7	Ninus KIEL	RSV Eintracht 1949 e.V.	5	10		10	3	25	1
8	Vincent BANNURA	Staffanstorps Judoklubb	10	7			2	17	2

Matches B

Match	White	Blue	Result	Time
2	Jorn BARNEVELD	Emil HENRIKSSON	0 - 10	0:56
4	Ninus KIEL	Vincent BANNURA	10 - 0	4:26
6	Jorn BARNEVELD	Ninus KIEL	0 - 5	5:00
8	Emil HENRIKSSON	Vincent BANNURA	0 - 7	5:00
10	Jorn BARNEVELD	Vincent BANNURA	0 - 10	2:31
12	Emil HENRIKSSON	Ninus KIEL	0 - 10	2:22



Results

Pos	Name
1	Vincent BANNURA, Staffanstorps Judoklubb
2	Huub RASPE, Veendam Judo School
3	Daan MOES, Stichting Judosport Oost
3	Ninus KIEL, RSV Eintracht 1949 e.V.