

# Copenhagen Open 2016

# M15+60

Competitors: 7

## Competitors A

#	Name	Club	1	2	3	4	Wins	Pts	Pos
1	Kaan ARMAN	HT16				7	1	7	3
2	Alexander NYMAN	Staffanstorps Judoklubb	10		10	10	3	30	1
3	EGOR KASAKOV	Samara judo Federation	10			10	2	20	2
4	Felix KÖNIG	Randori Berlin					0	0	4

## Matches A

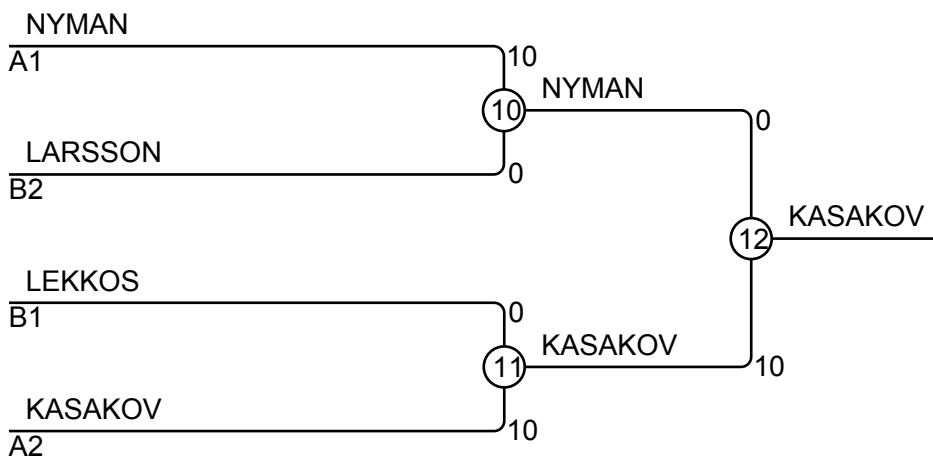
Match	White	Blue	Result	Time
1	Kaan ARMAN	Alexander NYMAN	0 - 10	1:01
2	EGOR KASAKOV	Felix KÖNIG	10 - 0	0:15
4	Kaan ARMAN	EGOR KASAKOV	0 - 10	0:42
5	Alexander NYMAN	Felix KÖNIG	10 - 0	0:18
7	Kaan ARMAN	Felix KÖNIG	7 - 0	4:00
8	Alexander NYMAN	EGOR KASAKOV	10 - 0	0:13

## Competitors B

#	Name	Club	5	6	7	Wins	Pts	Pos
5	Jonathan KLETSCHKUS	KS Lüneburg				0	0	3
6	Elias LEKKOS	RSV Eintracht 1949 e.V.	10		10	2	20	1
7	Victor LARSSON	Ängelholms Judoklubb	10			1	10	2

## Matches B

Match	White	Blue	Result	Time
3	Jonathan KLETSCHKUS	Elias LEKKOS	0 - 10	0:13
6	Jonathan KLETSCHKUS	Victor LARSSON	0 - 10	0:58
9	Elias LEKKOS	Victor LARSSON	10 - 0	0:36



## Results

Pos	Name
1	EGOR KASAKOV , Samara judo Federation
2	Alexander NYMAN, Staffanstorps Judoklubb
3	Victor LARSSON, Ängelholms Judoklubb
3	Elias LEKKOS, RSV Eintracht 1949 e.V.