

DM 2016 MA18-60

Competitors: 6

Competitors A

#	Name	Grade	Club	1	2	3	Wins	Pts	Pos
1	David IVANIAN	1.kyu	Amager Judo Skole		5	10	2	15	1
2	Jacob AGERTOFT	1.kyu	Brønshøj Judo Club			10	1	10	2
3	Tom JØRGENSEN	1.kyu	Esbjerg Judo Klub				0	0	3

Matches A

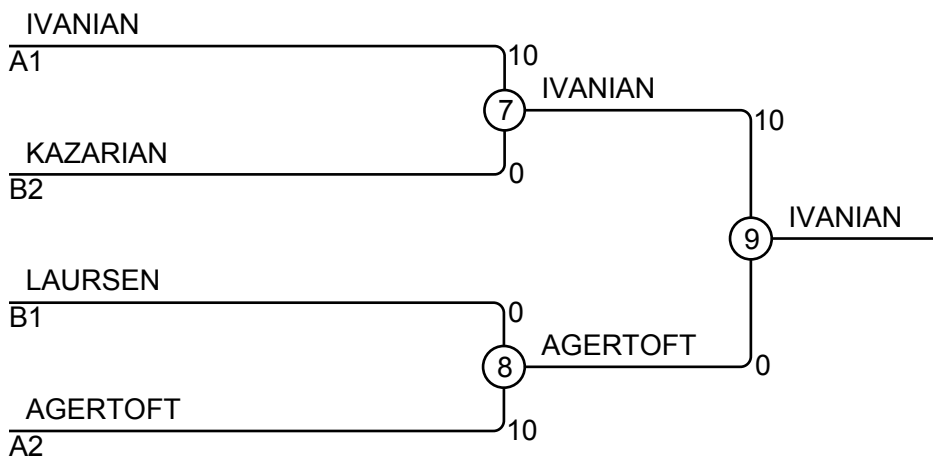
Match	White	Blue	Result	Time
1	David IVANIAN	1 2 Jacob AGERTOFT	5 - 0	4:00
3	David IVANIAN	1 3 Tom JØRGENSEN	10 - 0	1:08
5	Jacob AGERTOFT	2 3 Tom JØRGENSEN	10 - 0	1:36

Competitors B

#	Name	Grade	Club	4	5	6	Wins	Pts	Pos
4	Martin KAZARIAN	1.kyu	Amager Judo Skole		7		1	7	2
5	Tobias Spiel PEDERSEN	2.kyu	Amager Judo Skole				0	0	3
6	Sune Juhl LAURSEN	1.kyu	Vejle Judo Klub	5	10		2	15	1

Matches B

Match	White	Blue	Result	Time
2	Martin KAZARIAN	4 5 Tobias Spiel PEDERSEN	7 - 0	4:00
4	Martin KAZARIAN	4 6 Sune Juhl LAURSEN	0 - 5	4:00
6	Tobias Spiel PEDERSEN	5 6 Sune Juhl LAURSEN	0 - 10	2:10



Results

Pos	Name
1	David IVANIAN, Amager Judo Skole
2	Jacob AGERTOFT, Brønshøj Judo Club
3	Martin KAZARIAN, Amager Judo Skole
3	Sune Juhl LAURSEN, Vejle Judo Klub