

DM 2016 MA15-60

Competitors: 6

Competitors A

#	Name	Grade	Club	1	2	3	Wins	Pts	Pos
1	Lom-Ali DOVD	4.kyu	Vejle Judo Klub		10		1	10	2
2	Phanuwat JØRGENSEN	2.kyu	Birkerød Judoklub			7	1	7	3
3	Mads MØLLER	2.kyu	Holbæk Budo Skole	10			1	10	1

Matches A

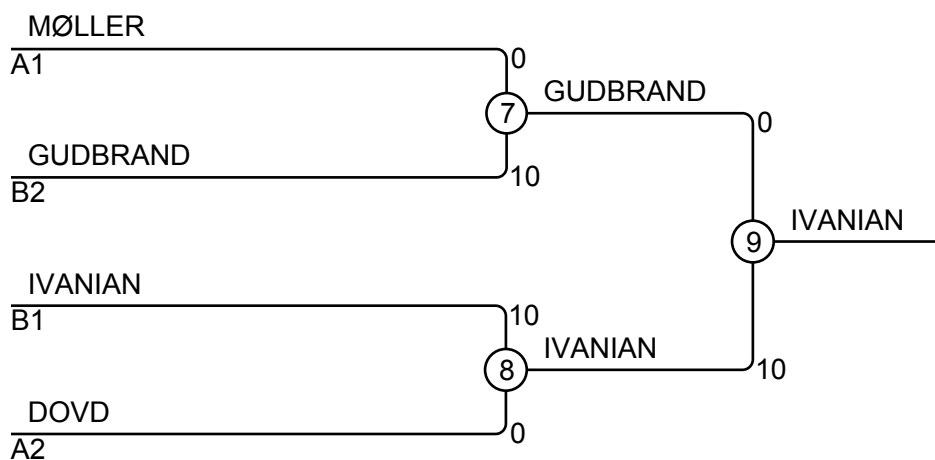
Match	White	Blue	Result	Time
1	Lom-Ali DOVD	1 2 Phanuwat JØRGENSEN	10 - 0	1:41
3	Lom-Ali DOVD	1 3 Mads MØLLER	0 - 10	3:00
5	Phanuwat JØRGENSEN	2 3 Mads MØLLER	7 - 0	5:38

Competitors B

#	Name	Grade	Club	4	5	6	Wins	Pts	Pos
4	Magnus GUDBRAND	2.kyu	Vestfyns Judo og Selvforsvar			10	1	10	2
5	David IVANIAN	1.kyu	Amager Judo Skole	10		10	2	20	1
6	Martin POULSEN	3.kyu	Sjelle-Skørring Idrætsforening				0	0	3

Matches B

Match	White	Blue	Result	Time
2	Magnus GUDBRAND	4 5 David IVANIAN	0 - 10	0:34
4	Magnus GUDBRAND	4 6 Martin POULSEN	10 - 0	0:47
6	David IVANIAN	5 6 Martin POULSEN	10 - 0	0:06



Results

Pos	Name
1	David IVANIAN, Amager Judo Skole
2	Magnus GUDBRAND, Vestfyns Judo og Selvforsvar
3	Mads MØLLER, Holbæk Budo Skole
3	Lom-Ali DOVD, Vejle Judo Klub